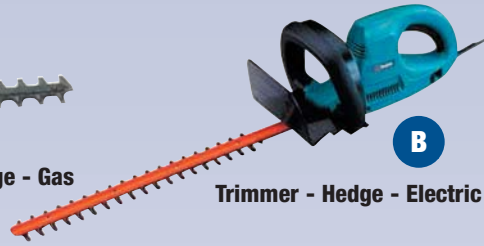




# LANDSCAPING



**A** Trimmer - Hedge - Gas

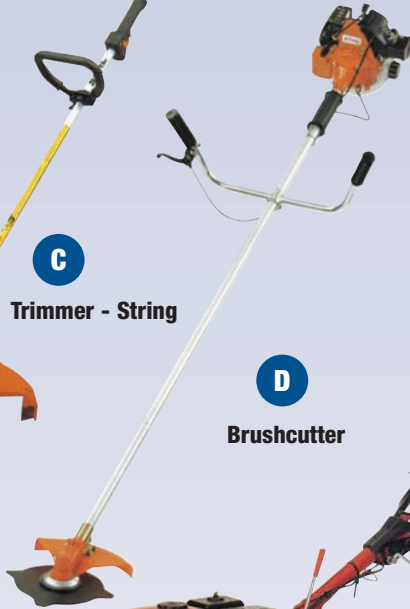


**B** Trimmer - Hedge - Electric

**STIHL**



**C** Trimmer - String



**D** Brushcutter



**F** Tiller - 8 HP

**HONDA**  
Power  
Equipment



**G** Tiller



**H** Seeder



**J** Dethatcher



**I** Sprayer - Manual

Code	Ref.	Description	Day	Week	Month
GE0020	A	Trimmer - Hedge - Gas			
GE0030	B	Trimmer - Hedge - Electric			
GE0101	C	Trimmer - String - Mixed gas			
GE0107	D	Brushcutter - Mixed gas			
GE0111	E	Lawnmower - Gas			
GE0118	F	Tiller - Gas - 8 HP			
GE0121	G	Tiller - Gas			
GE0125	H	Seeder			
GE0131	I	Sprayer - Manual			
GE0141	J	Dethatcher - Gas			

# LANDSCAPING



**A** Lawn Roller



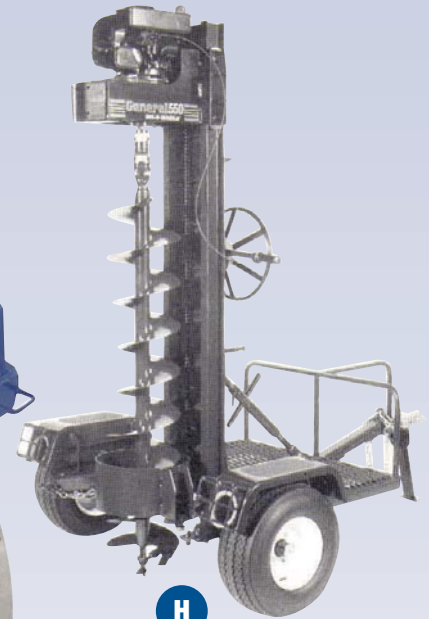
**B** Chipper



**C** Chainsaw



**D** Log Splitter



**H** Post-hole Digger - Gas



**E** Aerator



**G** Post-hole Digger - Gas

**F** Post-hole Digger - Manual



**I** Pole Pruner



**J** Telescopic Chainsaw

**K** Metal Detector

Code	Ref.	Description	Day	Week	Month
GE0171	A	Lawn roller			
GE0275	B	Chipper - Diesel - 12" diam. capacity			
W00501	C	Chainsaw -16" - Mixed gas			
GE0505	D	Log splitter - Gas			
GE0515	E	Aerator - Gas			
GE0521	F	Post-hole digger - Manual			
GE0523	G	Post-hole digger - Gas - 2 man			
GE0524	H	Post-hole digger - Gas - 1 man			
GE0551	I	Pole pruner - 12'			
GE0560	J	Telescopic chainsaw - Gas			
GE0610	K	Metal detector			

MTL 514-333-1212    LONGUEUIL 450-923-2212    TOR. 416-747-1212    OTT. 613-744-1212



# LANDSCAPING



**A**  
Scraper



**B**  
Pry-Bar



**C**  
Axe



**D**  
Shovel



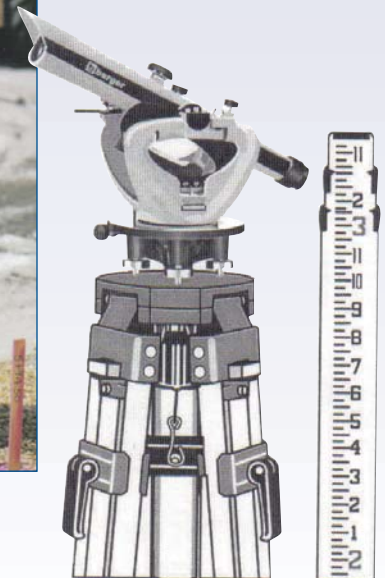
**E**  
Pick



**F**  
Rake



**G**  
Measuring Wheel



**H**  
Level

Code	Ref.	Description	Day	Week	Month
HA0050	A	Scraper - 5"			
HA0101	B	Pry-bar			
HA0480	C	Axe			
HA0490	D	Shovel			
HA0505	E	Pick - 36"			
HA0508	F	Rake			
HA1020*	N/I	Post driver			
HA1050	G	Measuring wheel			
HA4015	H	Level			

\*Not illustrated

MTL 514-333-1212

LONGUEUIL 450-923-2212

TOR. 416-747-1212

OTT. 613-744-1212



[www.dickiemoore.com](http://www.dickiemoore.com)

61